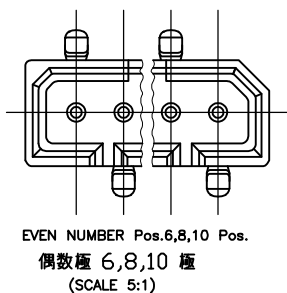
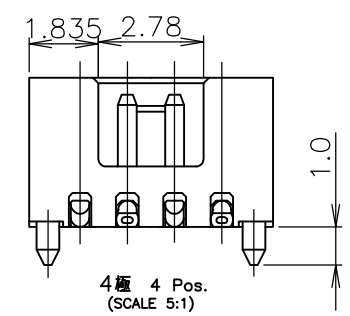


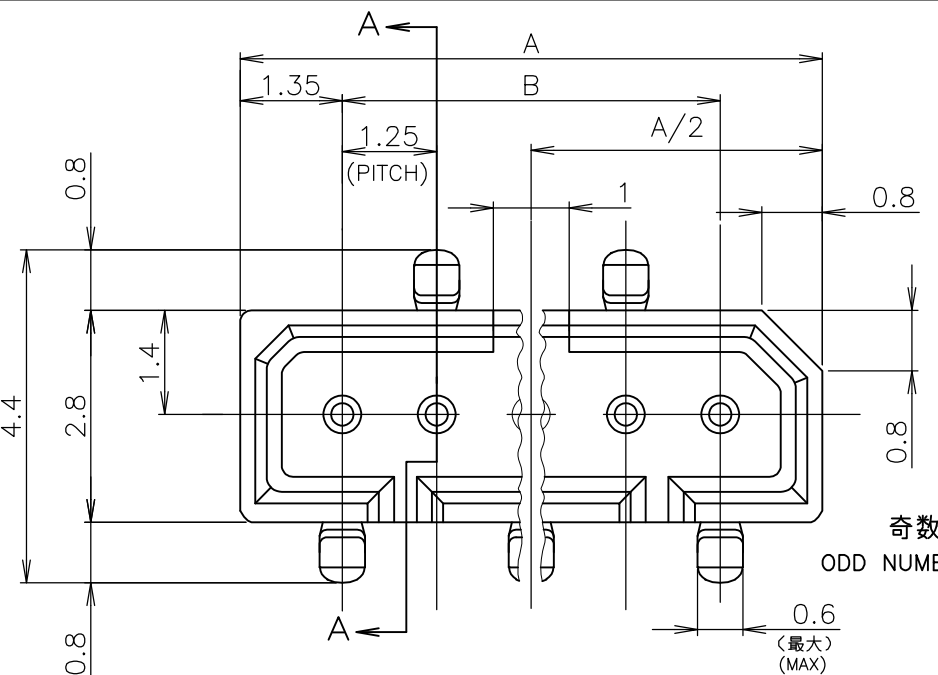
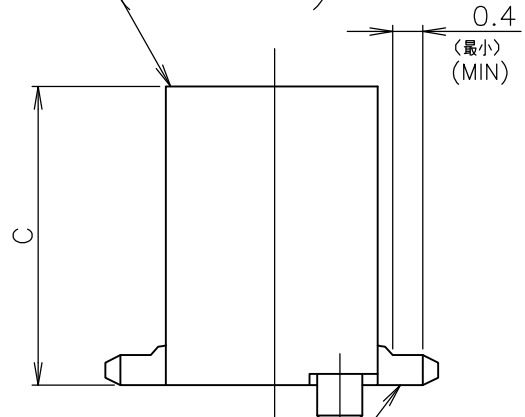
THIS DRAWING IS UNPUBLISHED. RELEASED FOR PUBLICATION
 © COPYRIGHT By - ALL RIGHTS RESERVED.

LOC		DIST		REVISIONS			
J				変更		DATE	APVD
P	LTR	DESCRIPTION		DATE	DWN	APVD	
	L2	REVISED ECR-15-014920		26OCT2015	I.T	W.H	

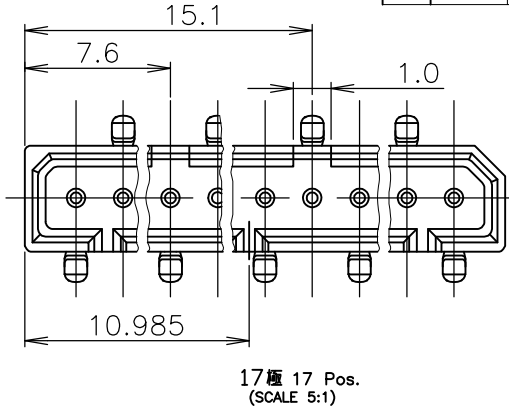


HEADER HOUSING
 ヘッダーハウジング

(PPS UL94V-0)
 COLOR : BLACK



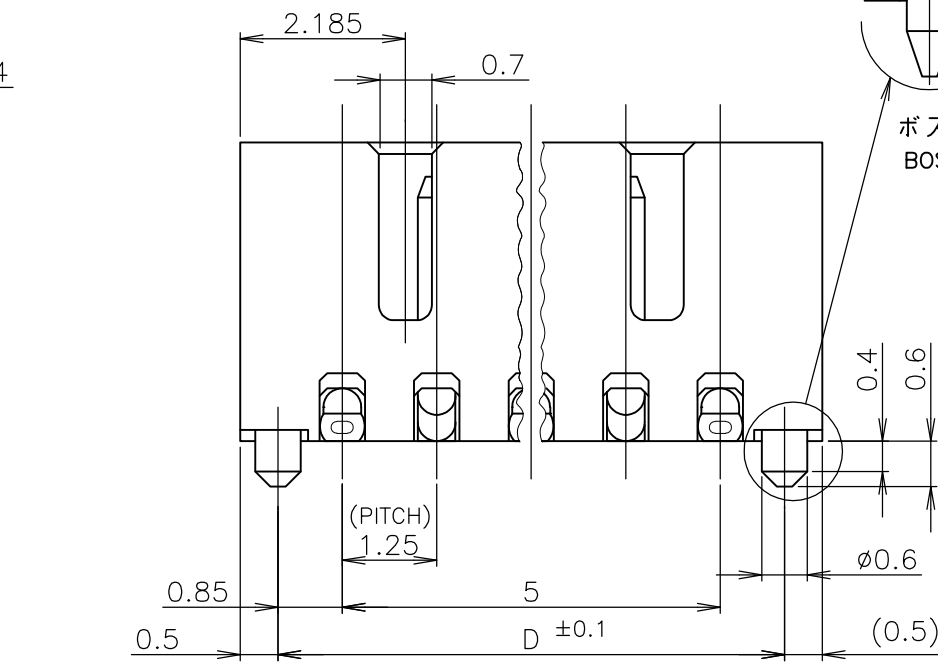
奇数極5,7極
 ODD NUMBER Pos.5,7 Pos.



注記 1 嵌合相手製品型番及び、嵌合時寸法は
 MATING COUNTER PART NUMBER AND DIMENSIONS
 表-1 参照のこと。
 AFTER MATING: SEE TABLE 1.
 嵌合時寸法:巾(mm)x高さ(mm)
 DIMENSIONS AFTER MATING : WIDTH(mm) x HEIGHT(mm)

POST HDR ASSY		SMT TYPE	
X-174820-X		X-174820-X	
ボス付 WITH BOSS		ボス付 WITH BOSS	
ハウジング高さC寸法 HOUSING HEIGHT C DIMENSIONS		3.95	5.95
DIP TYPE	V TYPE	4.4(巾W)x 5.0(高H)	4.4(巾W)x 7.0(高H)
X-174633-X	H TYPE	4.4(巾W)x 5.0(高H)	4.4(巾W)x 7.0(高H)
SMT TYPE	V TYPE	4.4(巾W)x 5.0(高H)	4.4(巾W)x 7.0(高H)
ボス無 WITHOUT BOSS X-174902-X	H TYPE <td>4.4(巾W)x 5.8(高H)</td> <td>4.4(巾W)x 7.8(高H)</td>	4.4(巾W)x 5.8(高H)	4.4(巾W)x 7.8(高H)
ボス付 WITH BOSS X-174637-X	X-174903-X		
ボス無 WITHOUT BOSS X-174903-X	X-174638-X		
ボス付 WITH BOSS X-174638-X			

POST
 ポスト
 ニッケル下地 錫めっき仕上げ黄銅線
 POST TIN PL.
 Ni UNDER PL. ALL OVER BRASS WIRE
 φ0.5



5極以上10極以下
 5 Pos.AND MORE,10 Pos>AND LESS

ボス形状 BOSS FORM 'A'
 2.15
 0.2 0.5 2.8

SECT A-A

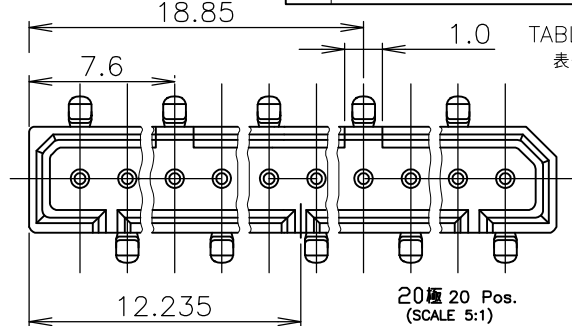
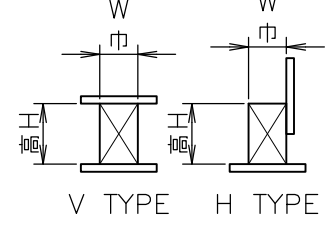
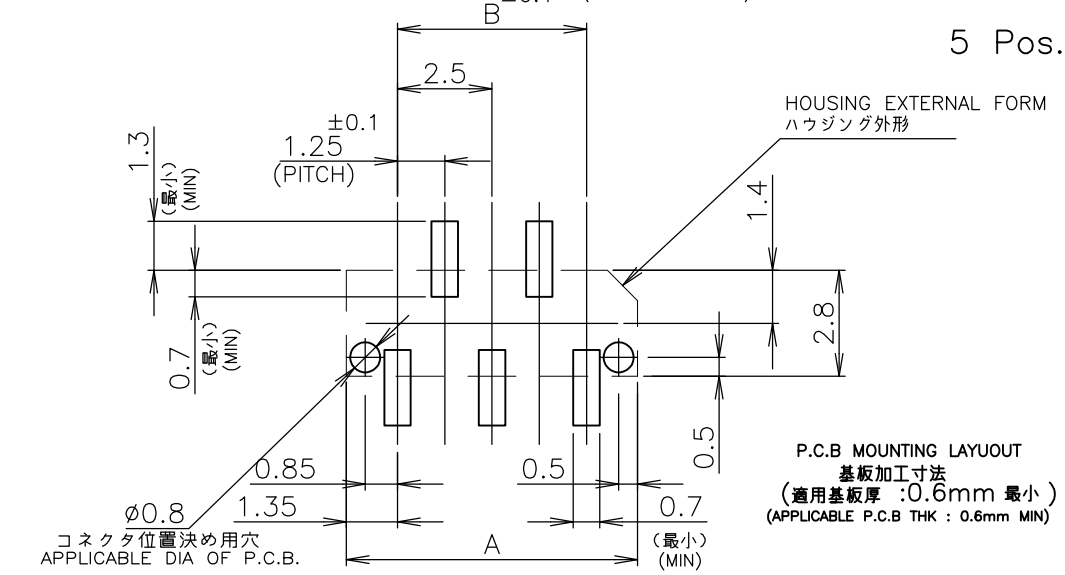


TABLE 1 SMT TYPEは、巾及び高さ寸法に
 SMT TYPE INCLUDE DIMENSIONS
 半田付タイプ寸法を含みます。
 OF SOLDER DIP TYPE.



		25.45	23.75	26.45	20	8-	-0
OBSOLETE		21.70	20.00	22.70	17	7-	-7
OBSOLETE	'A'	10.45	8.75	11.45	8	6-	-8
	'B'	12.95	11.25	13.95	10	4-	-0
	'A'	10.45	8.75	11.45	8	3-	-8
	'A'	9.20	7.50	10.20	7	3-	-7
	'A'	7.95	6.25	8.95	6	3-	-6
	'A'	6.70	5.00	7.70	5	3-	-5
	'B'	5.45	3.95	6.45	4	3-	-4
ボス形状 BOSS TYPE	D	C	B	A	極数 Pos.	型番 P/N	



△ OBSOLETE PARTS: OBSOLETE CIS STREAMLINING PER D.RENAUD/D.SINISI

THIS DRAWING IS A CONTROLLED DOCUMENT.		DWN S.KANEKI 14SEP92	STE TE Connectivity
DIMENSIONS: 単位: 概 mm		CHK J.TANIGAWA 14SEP92	
TOLERANCES UNLESS OTHERWISE SPECIFIED: 一般公差		APVD S.KUBOURCHI 17OCT92	NAME 名称
0-PLC ± 10以下: ±0.2		PRODUCT SPEC	1.25 FP CONNECTOR (B-TO-B) SINGLE ROW POST HDR ASS'Y SMT TYPE WITH BOSS
1-PLC ± 10*概A 30以下: ±0.25		製品規格	
2-PLC ± 30*概A 100以下: ±0.3		APPLICATION SPEC	SIZE CAGE CODE DRAWING NO
3-PLC ± 角度: ±3'		取付適用規格	A300779 C-174820
4-PLC ±		WEIGHT	RESTRICTED TO
ANGLES ±		FINISH 仕上	SCALE 尺度 10:1 SHEET 1 OF 1 REV L2
MATERIAL 材料 AS SHOWN 図中参照		FINISH 仕上 AS SHOWN 図中参照	CUSTOMER DRAWING